



Distributed by

**DARTRONICS, INC.**  
PACKAGING AUTOMATION SPECIALISTS

R&E

ROBOTICS &  
END OF LINE

## FLEX LEGION TURNTABLE PALLET WRAPPER



### Value leader in a cost effective, rugged, and reliable design

The Flex Legion is the value leader in semi-automatic turntable stretch wrapping with all the features you need to quickly, efficiently, and economically stretch wrap pallet loads.

Built to last and be easily maintained, the Flex Legion features a robust Insta-Thread Carriage film delivery system, a structural steel framework that allows the machine to be transported from the front or back, AC motors with VFD controls, and automatic height photo-eye sensors that improve the precision application of pre-programmed wraps to maximize load containment and film yield.

#### FEATURES AND BENEFITS

- Load with a pallet jack, electric walkie, or forklift
- 4" Allen-Bradley, HD touch screen HMI
- Quick adjust dials for hassle-free adjustments
- Premium efficiency AC motors with 15 RPM variable speed soft start
- Revo-Logic technology for precise film application with maximum load containment and film yield
- 4,000 lb. maximum load capacity utilizing Orion's class-leading structural base
- Film saving 200% powered film pre-stretch (80GA film or thinner)
- Automatic film payout
- Max load height 80" as standard, 110" optional
- 60" diameter turntable for loads up to 55" x 55"

#### INSTA-THREAD CARRIAGE

At the heart of the machine, the Flex Legion is equipped with class-leading film carriage technology, the Insta-Thread Carriage. This carriage provides a consistent film-saving 200% pre-stretch and incorporates the same premium quality components found within the S-Carriage on other Orion Flex models. The automated film payout ensures consistent film payout regardless of load size and shape.

#### OPTIONS:

- Extended Mast - 110"
- Special load height photocell for dark/opaque loads
- 150% pre-stretch (above 80GA film)
- Load backstop
- Ramp

# ORION FLEX LEGION TURNTABLE PALLET WRAPPER

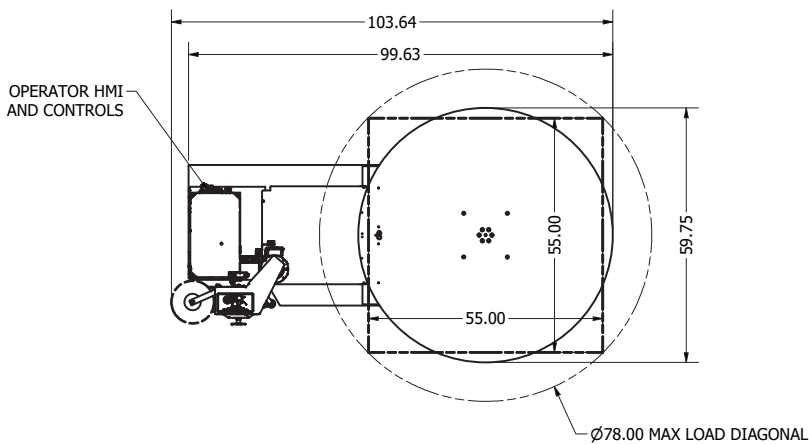
## TYPICAL PRODUCT SPECIFICATIONS

<b>Speed</b>	15 RPM
<b>Display</b>	4" Allen Bradley HMI
<b>Frame</b>	Heavy-duty welded tubular steel

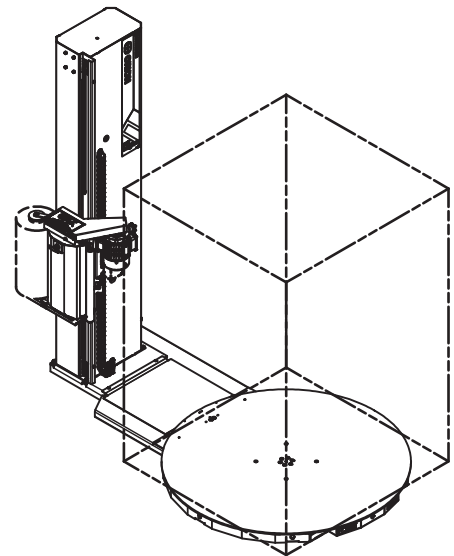
<b>Electrical Requirements</b>	115/1/60, 15 Amp electrical service (Not suitable for GFIC)
<b>Shipping Weight</b>	80" Mast: 1200 lbs. (ships as 1 pc.) 110" Mast: 1300 lbs. (ships as 2 pcs.)

## CONFIGURATION

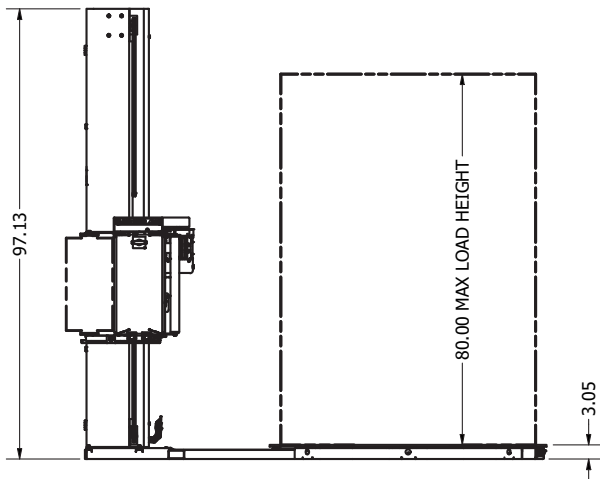
Top view



Corner View



Side view



**DARTRONICS, INC.**

PACKAGING AUTOMATION SPECIALISTS



150 William Street, Perth Amboy NJ 08861  
[www.dartroincs.com](http://www.dartroincs.com) | [sales@dartroincs.com](mailto:sales@dartroincs.com) | (732) 324-0800