



Distributed by  
**DARTRONICS, INC.**  
 PACKAGING AUTOMATION SPECIALISTS

## V33 System

# Flat Pack Vision Inspection



### Label Data and Quality Control

Reduce rework or opportunities for product recalls by inspecting label data and identifying quality defects such as label mix-up that could mis-represent your brand.



### Seal Contaminant Inspection

Check for contaminants in seals to minimize issues in downstream production processes.



### Multiple Inspection Capabilities

Add on cameras for top, front or rear inspection either on the system or on the production line where other packaging steps occur, common where items are sorted into another carton.



### Global Service Support

A global network of service experts provide fast remote and on-site support. Our comprehensive service offering allows you to achieve regulatory compliance, high performance, and maximum uptime throughout the life cycle of your product inspection equipment.



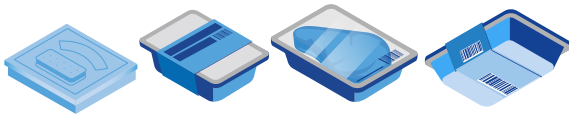
### Efficient, Customizable, Intuitive Use

Advanced bottom inspection of a variety of packages. The system supports customized lighting and can be extended with top cameras for further applications such as seal contamination inspection.

- **Effective Bottom Inspection** – Supporting up to 400 ppm, capture the nuances associated with various product shapes or sizes where a larger field of view is required.
- **Application Based Design** – Cameras and advanced lighting options help overcome challenging applications where wet, reflective, or uneven surfaces interfere with imaging.
- **Intuitive Software** – Powerful CIVCore software offers a range of inspection options for easy setup and configuration.

# V33 Flat Pack Vision Inspection

## Technical Specifications



### Typical Containers – Flat Package Types

#### Applications

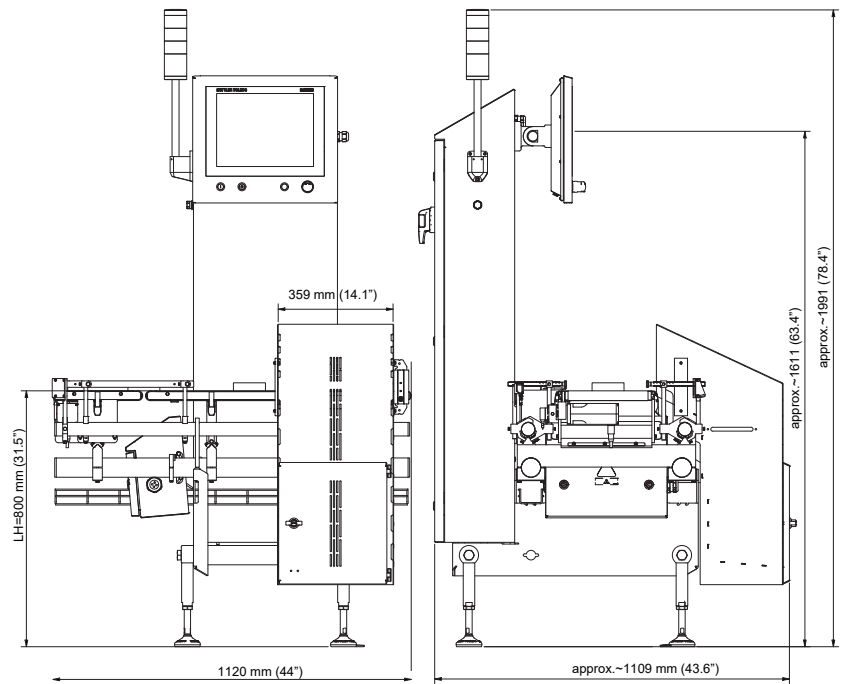
Label data and quality inspection, package integrity, contaminants in seals, label mix-up prevention

#### Inspection Capabilities

- 1D and 2D barcode presence and reading
- Alpha-numeric text presence and reading
- Presence and quality of graphics
- Label quality, position and skew
- Contaminants in sealing surface

#### Available Configurations

- Standalone System - This standalone system can be placed directly over conveyors with a control cabinet positioned for easy access next to the enclosure or elsewhere on the line.
- Multiple Lighting Options - Advanced lighting options are designed to create optimal contrast in order to detect defects in labeling and packaging.
- Advanced Camera Configurations - Powerful pc-controlled cameras come in a variety of resolutions, lenses, and filters that are designed for optimum speed and performance for your application.



Schematic – Front and side view (typical dimensions)

Model	V33 Flat Pack Vision Inspection System
Product Shape	Flat packs, trays or cartons
Inspection Area	Bottom; Optional Top and Side
Product Width	125 mm
Field of View	200 mm x 200 mm (7.9" x 7.9")
Label Data Inspection	1D/2D Barcodes, Alpha Numeric
Label Quality Inspection	Label Wrinkles; Graphical ID; Label Placement; Label Skew
Seal Inspection	Contaminants in Seals
Cameras	PC-Controlled Line Scan Camera
HMI	15" Color Touchscreen
Throughput	Up to 400 ppm
Design Options	Standalone
Power Requirements	110 - 230 V (single phase), 50 - 60 Hz
Operating Temperature (no A/C)	<35 °C(95 °F) <80 % humidity
Hygienic Requirement	Wipe Down (<IP54);Low Pressure (IP65)

Note: The system has additional options that can be configured to your production line. Contact us to get a quote.

METTLER TOLEDO Service with global reach and tailored care solutions



### Dartronics, Inc.

150 William Street  
Perth Amboy, NJ 08861 USA  
Tel: (732) 324-0800  
Fax: (732) 324-4488  
Email: sales@dartronics.com



For more information  
[www.dartronics.com/vision-inspection-solutions/](http://www.dartronics.com/vision-inspection-solutions/)



**DARTRONICS, INC.**  
PACKAGING AUTOMATION SPECIALISTS