



Distributed by
DARTRONICS, INC.
 PACKAGING AUTOMATION SPECIALISTS

V13 Flat Pack Label Inspection System

Robust. Flexible. Space-saving.



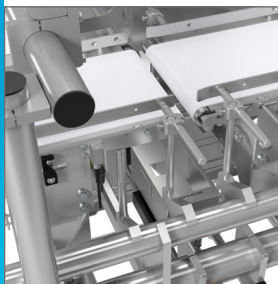
Label Data and Quality Control

Inspect label data such as 1D / 2D barcodes and alpha numeric codes for errors. Verify for quality defects such as label positioning or skew, print quality and graphic ID.



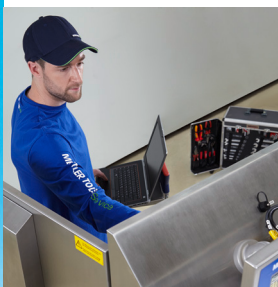
Intuitive Operation

User friendly operator software simplifies the set-up of products and supports product changes to be managed centrally. Embedded user management provides security. Based on the established checkweighing software for minimal operator training requirements.



Application Specific Configuration

Flexible configuration allows you to match individual production needs and offers a choice of material handling, reject mechanisms and sorting options. The position of the control enclosure and HMI offers increased adaptability.



Global Service Support

Our global service network provides reliable support and professional installation for enhanced performance. Rapid delivery of spare parts reduces downtime.

V13 Flat Pack Label Inspection System

This solution carries out reliable label inspection from the bottom up to inspect labels on the underside of flat packs. The stand-alone solution offers configurable material handling options and can be extended with top and side smart cameras.

- **High-speed Label Inspection** – Efficient smart camera for 100% automated inspection of bottom labels with speeds of up to 300 ppm and 70 m/min.
- **Prevent Retailer Fines** – Verify 1D / 2D barcodes to help ensure every product is machine readable at the checkout to avoid costly retailer fines.
- **Flexible Camera Options** – For additional quality control, add smart cameras to verify label data and quality from the top and from the sides.

V13 Flat Pack Label Inspection System

Technical Specifications

Applications

- Label data and quality inspection for flat packages

Increase Productivity

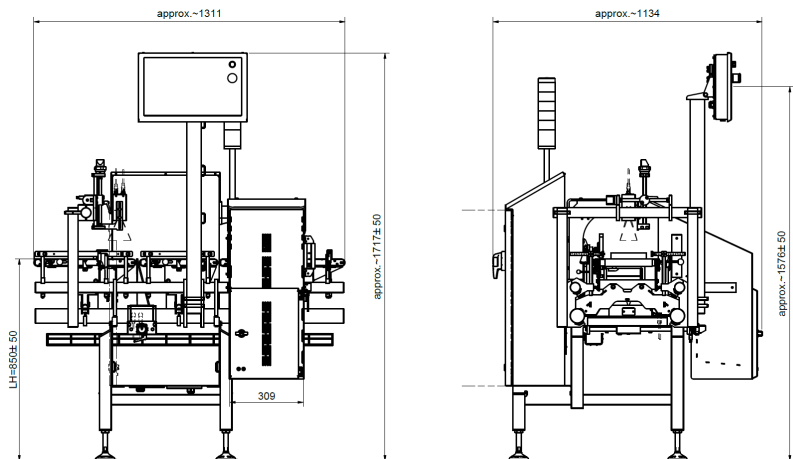
- Digital position indicators support fast and easy product changeovers for additional productivity that can be carried out by the operator
- On screen information provides system status updates and troubleshooting advice

Software Capabilities

- User friendly operator software simplifies the set-up of products and supports product changes to be managed centrally
- Embedded user management provides security. Based on the established checkweighing software for minimal operator training requirements
- Fieldbus and OPC technologies enable IoT / Industry 4.0 initiatives to access, analyze and control production data anytime and anywhere
- The system can be connected to the ProdX™ quality management software

Available as a Combination System

- Integrate with our checkweighing, metal detection or x-ray inspection technologies into a single space-saving device
- Shared material handling, sorting and reject mechanisms improve productivity and reduce cost



Standard Schematic with Frame and HMI (typical dimensions in mm).

Model	V13 Flat Pack Label Inspection System
Product Shape	Flat Packs
Inspection Area	Bottom; Optional Top or Side
Field of View	128 x 96 mm
Label Data Inspection	1D/2D Barcodes, Alpha Numeric
Label Quality Inspection	Label Wrinkles; Graphical ID; Label Placement; Label Skew
Throughput	Up to 300 ppm
HMI	12" Colour Touchscreen
Design Option	Kit; Standalone; Checkweigher Integration
Cleaning Requirement	Wipe Down (IP54); Low Pressure (IP65)
Number of Cameras	Up to 4 Smart Cameras
Vision Combinations	Contamination Detection; Dynamic Checkweighing
Transport Height	550 mm - 1 100 mm (± 50 mm)

METTLER TOLEDO Service with global reach and tailored care solutions



Dartronics, Inc.

150 William Street
Perth Amboy, NJ 08861 USA
Tel: (732) 324-0800
Fax: (732) 324-4488
Email: sales@dartronics.com

For more information

www.dartronics.com/vision-inspection-solutions/



DARTRONICS, INC.
PACKAGING AUTOMATION SPECIALISTS