

description

Orion's Constellation Series automatic stretch wrapping machines are designed for stretch film unitization of long loads which cannot be wrapped on conventional stretch wrap machines. These orbital wrappers are available with a variety of ring sizes and can be adapted to a wide range of horizontal wrapping applications.

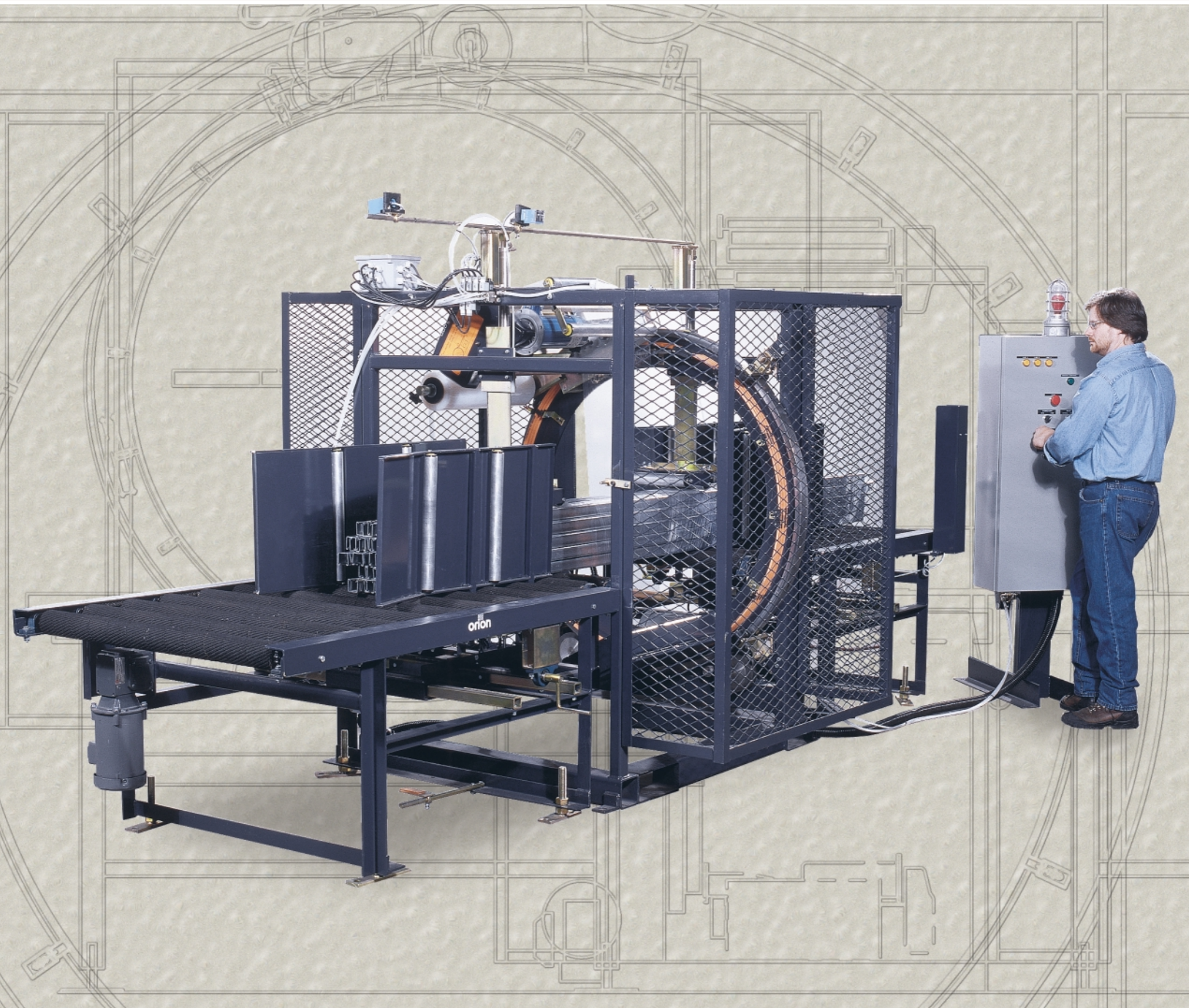
operation

- 1) Load conveyed to wrapping zone
- 2) Photoeyes detect load width and height
- 3) Top & side guides adjust automatically*
- 4) Ring spins wrapping load as it conveys through
- 5) Film tail cut (sealed*), load exits system

* If system is optionally equipped

• Constellation features

- Automatic operation saves labor costs, improves efficiency and package appearance
- Orbital wrapping method well-suited for long, difficult load types
- Hand crafted with 100% structural steel for high stability and long service life
- High performance film delivery system yields 245% prestretch (standard)
- Ring sizes available: 15", 25", 40", 60", 80"
- Automatically adjusts for various load widths & heights
- Ring rotation speeds from 20rpm to 100 rpm depending on ring size & application
- Single or twin film carriages available to best fit cycle speed requirements
- Rotational safety photoeyes stops machine if beam is broken
- State-of-the-art Allen Bradley PLC Controller for maximum reliability and flexibility
- Non-proprietary replacement parts can be purchased locally or from dealer
- Dramatically reduces packaging costs by replacing corrugated, strap, string, tape





Since the early 1980's, Orion has been in the business of protecting customer's products. As a leading manufacturer of high quality industrial stretch packaging technology, Orion has set the standard for durability, efficiency, flexibility, reliability and performance with the most comprehensive line of stretch packaging equipment on the market today. With the overwhelmingly unanimous acceptance of stretch packaging for palletized goods by virtually all manufacturing industries, Orion has striven to apply our stretch packaging technology to industries manufacturing non-palletized goods as well, giving customers in these applications the same benefits of product protection, maximum unitization, and minimum packaging cost per load. Orion's family of Constellation series of orbital stretch wrappers feature our state-of-the-art powered pre-stretch film delivery systems applied to a horizontal, precision, rotary ring through which product is conveyed and stretchwrapped. Available with a variety of ring sizes, ring speeds, conveyor types, and film tail treatment options, Orion's Constellation series makes it possible to apply stretch film to virtually any horizontally oriented product, providing an excellent alternative to strapping, corrugated materials, poly bags and similar unitizing methods currently in use.

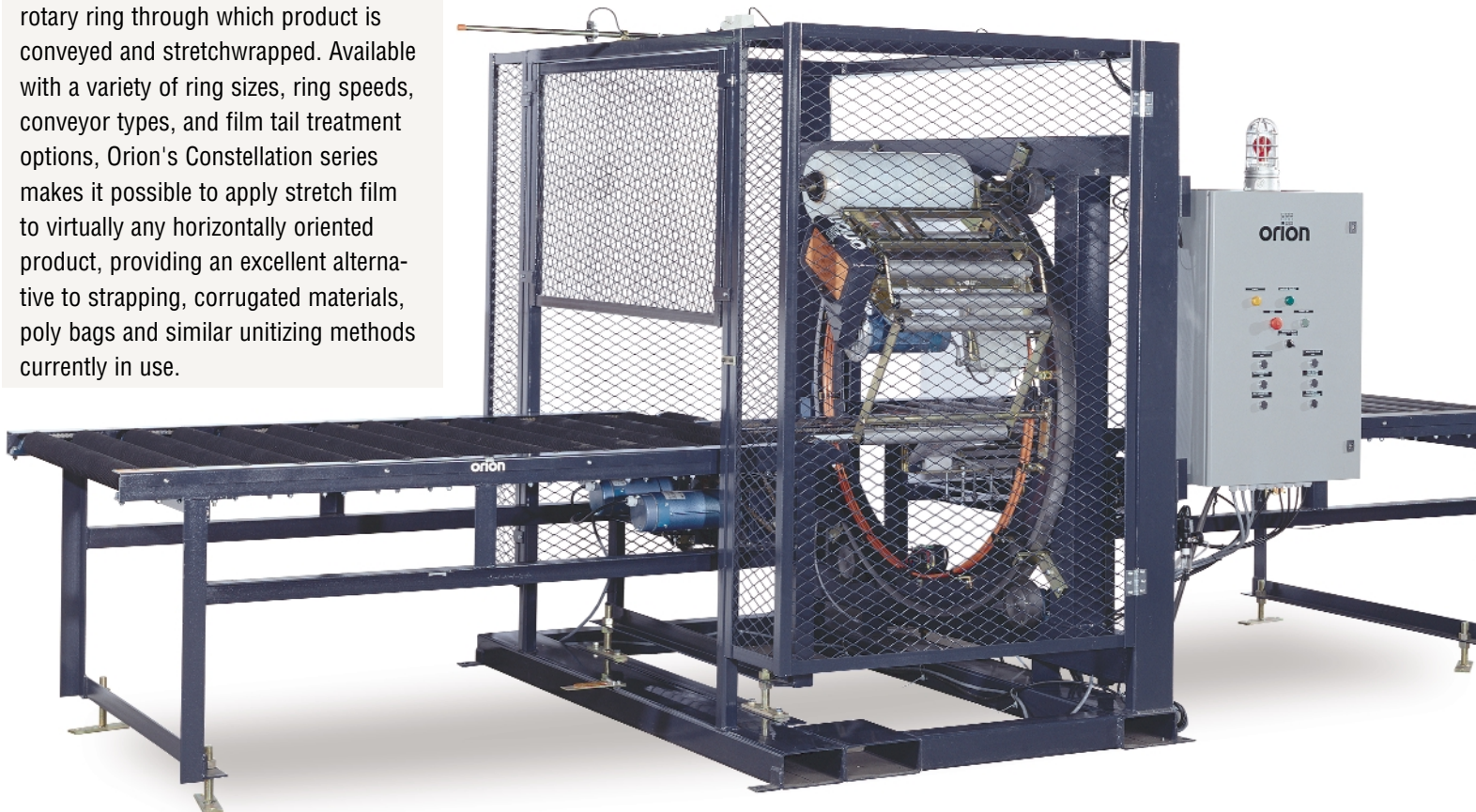


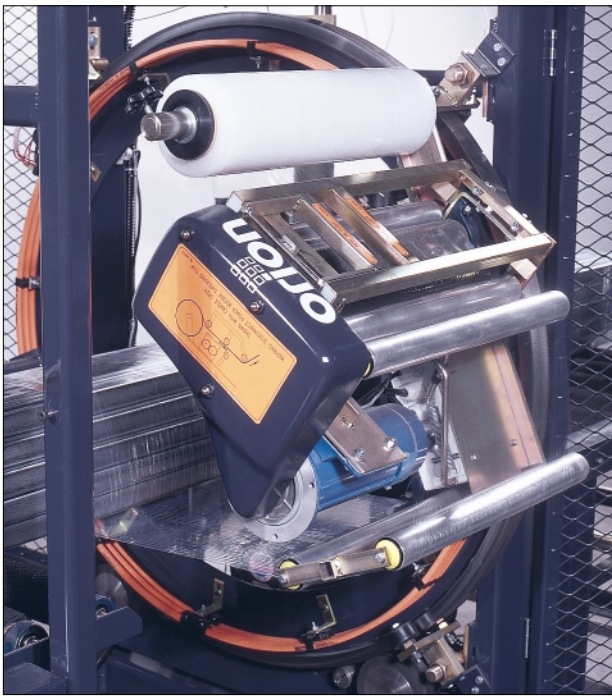
Our new Constellation Series™ is perfect for unusual wrapping situations. From fluorescent bulbs to building materials, from steel beams to stilts... if you have an odd shaped product, we've got it covered.

Built with the same quality as every other Orion Stretch Wrapping System, the new Constellation Series™ comes equipped with our Revo-Logic™, Insta-Sense™, and Insta-Thread™ systems. Together, these innovations assure that you can unitize and protect your loads with precisely the right amount of stretch film, at precisely the right tension for high efficiency and cost reduction.

If you've ever seen an Orion, you know it's durable enough to handle decades of hassle free production. On top of that, Orion Packaging Systems are built with quality parts that are locally available from quality suppliers.

Now that you've spent years and a small fortune developing and refining your manufacturing process, isn't it comforting to know there's a stretch packaging system just perfect for your product. No other fully-automatic stretchwrapping system even comes close to the new Constellation Series™ from Orion.





FILM DELIVERY SYSTEM

Utilizing Orion's Insta-Thread™ powered pre-stretch film delivery system, Constellation series wrappers are compatible with all of today's high quality stretchfilms from 10" to 30" in width.



Threading the Insta-Thread film carriage is fast and easy. Simply open the hinged roller frame and pull the film web through, then latch the roller frame closed.

CSA / UL APPROVED PANELS

Our high quality control panels are built in Orion's CSA / UL approved fabrication shop, utilizing non-proprietary, state-of-the-art programmable logic controls.

SUPERIOR CONVEYOR CONSTRUCTION

Our conveyor is all Orion manufactured from 100% structural steel and is available in a variety of types, sizes, capacities, and speeds offering many alternatives to choose from in conveying your loads.

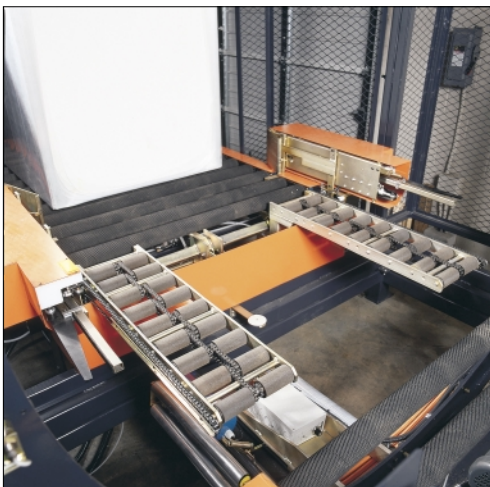
OPEN DESIGN FOR EASY MAINTENANCE

An ease of maintenance design and locally obtainable, non-proprietary components ensure maximum up-time.



FILM TAIL TREATMENT

Film tail treatment options include automatic clamping/cutting for individual wrapping of single loads, flying cut-off for open end/high speed wrapping, and heat seal for total encapsulation.



POWERED BRIDGE

This option is ideal when wrapping heavy, light, fragile, unstable and short loads. The patented design drives the film off the bridge and removes the film tension from the load. Available on all Constellation models.



6-SIDED WRAPPING

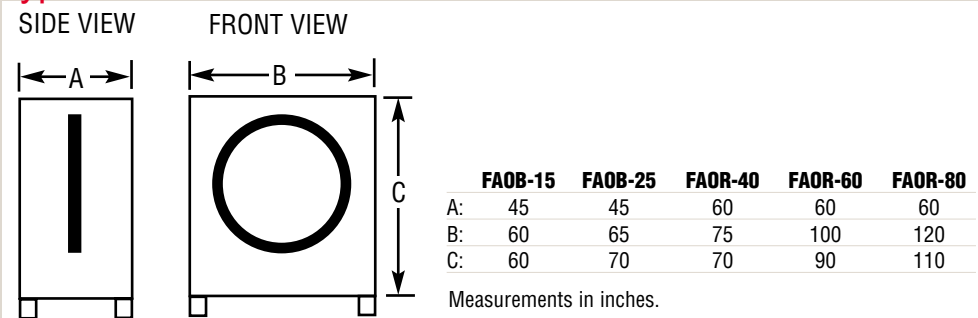
Totally wrap a load while locking it to the pallet by combining an Orbital with an Orion FA or MA automatic system.



Constellation Specifications

| Machine Performance | FAOB-15 | FAOB-25 | FAOR-40 | FAOR-60 | FAOR-80 |
|----------------------------------|--|------------|------------|------------|------------|
| Standard rotation speed | 60 rpm | 50 rpm | 40 rpm | 30 rpm | 20 rpm |
| Medium speed option | 80 rpm | 60 rpm | 50 rpm | 40 rpm | 30 rpm |
| High speed option | 100 rpm | 70 rpm | 60 rpm | 50 rpm | 40 rpm |
| Film Delivery System | | | | | |
| Insta-Thread | ● | ● | ● | ● | ● |
| S-Sense | n/a | n/a | ● | ● | ● |
| Single carriage | ● | ● | ● | ● | ● |
| Dual carriage | option | option | ● | ● | ● |
| Film Tail Treatment | | | | | |
| Full web film clamping | ● | ● | ● | ● | ● |
| Hot wire cut w/open end | ● | ● | n/a | n/a | n/a |
| Hot wire cut w/sealing | ● | ● | n/a | n/a | n/a |
| Conveyor | | | | | |
| BFR width: standard | 14" | 20" | 28" | 40" | 52" |
| BFR width: optional | - | 24" | 40" | 60" | 80" |
| Mini conveyor: sides | - | - | ● | ● | ● |
| Mini conveyor: middle | - | - | - | ● | ● |
| Load Specifications | | | | | |
| Maximum W x H | 10" x 10" | 15" x 15" | 24" x 24" | 36" x 36" | 48" x 48" |
| Minimum W x H | 2" x 2" | 4" x 4" | 12" x 12" | 16" x 16" | 20" x 20" |
| Minimum length | 25" - 48" | 25" - 48" | 30" - 48" | 30" - 48" | 36" - 48" |
| Maximum weight | 1,000 lbs. | 1,000 lbs. | 1,000 lbs. | 2,000 lbs. | 2,000 lbs. |
| Ring Type & Size | | | | | |
| Ring bearing | 17" ID | 25" ICD | | | |
| Machined ring | - | - | 40" ID | 60" ID | 84" ID |
| Power Requirements | | | | | |
| | All Models: 208/120 VAC (3 lines + Neutral + GND) 3 Phase, 60 Hz, 20 Amp | | | | |
| Pneumatic Requirements | | | | | |
| | 3 CFM @ 80 psi for all models | | | | |
| Structural Design | | | | | |
| | 100% Structural steel used throughout | | | | |
| | Free standing 4-leg design | | | | |
| | Metal intrusion fencing around process area | | | | |
| Estimated Shipping Weight | | | | | |
| | 2,000 lbs. | 3,000 lbs. | 4,000 lbs. | 5,000 lbs. | 6,000 lbs. |
| Warranty | | | | | |
| Components | All models: 3 years | | | | |
| Structural | All models: 5 years | | | | |
| Prestretch roller | All models: Lifetime | | | | |

Typical Constellation Dimensions



As you can see, the Constellation series is a family of orbital stretch packaging systems designed with a variety of features and wide ranging capabilities to meet the needs of even the most unusual wrapping situations. From fluorescent bulbs to building materials, from steel beams to stilts...if you have an odd shaped product, we've got it covered. Your application will be reviewed in detail including an on site visit by an Orion sales manager and distributor partner, and, when possible, extensive product testing. The end result is a high quality, Orion Constellation series orbital stretch packaging system custom fit to meet your needs, backed by Orion's extensive distributor support network.

Orion...anything less is a gamble!



Orion Packaging Systems, Inc.
 A Pro Mach Operating Partner
 USA Corporate Headquarters
 100 Crescent Drive
 Collierville, TN 38017
 Toll Free (800) 333-6556
 Telephone (901) 888-4170
 Fax (901) 365-1071
 CANADA Manufacturing
 2270 Industrial Blvd
 Laval, Montreal, H7S 1P9
 Telephone (450) 667-9769
 Fax (450) 667-6320
 Email: sales@orionpackaging.com
 Web: www.orionpackaging.com
 Bulletin #CON04/02.JKG

distributed by:



150 William Street Perth Amboy, NJ 08861
 1-800-298-8936
 Phone: 732-324-0800
 Fax: 732-324-4488
 Email: sales@dartronics.com
 www.dartronics.com

All dimensions approximate. Orion Packaging Systems reserves the right to change specifications without notice.