



where products meet packaging®

The ADCO MBC compact cartoner was designed to meet the demands of pharmaceutical, cosmetic, personal care and other packages that need to automatically erect, load and seal small horizontal end load cartons. Featuring a compact footprint, efficient multi-head rotary carton feed design and full length Lexan barrier guarding, the MBC is ideal for space-constrained and demanding production environments. Along with its continuous motion design and reliable side shifting bucket design, the MBC comes standard with swing away overheads, a horizontal powered carton magazine and digital indicators on all adjustments. The simple to operate, ergonomically friendly and easy to maintain MBC is the perfect addition to your packaging line. Like all ADCO machines, the MBC is constructed in stainless steel and is available in standard or wash-down configurations.

Benefits

- Stainless steel construction improves cleanability and eliminates corrosion
- Multi-head rotary carton feeder ensures smooth, efficient operation
- Fast, easy changeover with digital indicators on all adjustments reduces downtime
- PackML programming simplifies integration between machines
- Advanced guard design keeps operators safe and maximizes maintenance access

MBC - Compact Horizontal End Load Cartoner

Product Features

- Stainless steel construction
- Right or left hand construction
- Compact frame with leveling feet and casters
- Horizontal powered easy-to-load carton magazine
- Multi-head rotary carton feeder mounted over frame
- 6' product infeed conveyor frame
- Side shifting infeed buckets
- Barrel cam inserter with adjustable overload sensor-protected retract system
- No product/no carton, no carton/no load sensing
- Powered side discharge belts and unloaded product chute
- Capable of erecting, loading and sealing tablock style or glued cartons
- Nordson® ProBlue hot melt glue system (when glue is specified)
- Allen-Bradley® PLC control package with touchscreen HMI interface
- Category 3 safety system with fully interlocked barrier guard package
- Many options available upon request

Typical Applications

- Personal care
- Cosmetics
- Pharmaceuticals
- Snack foods
- Candy & Confectionery

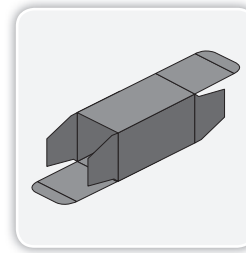
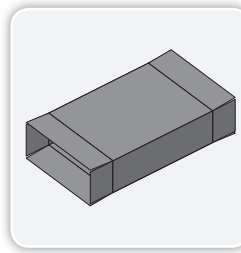
Utilities

Electrical

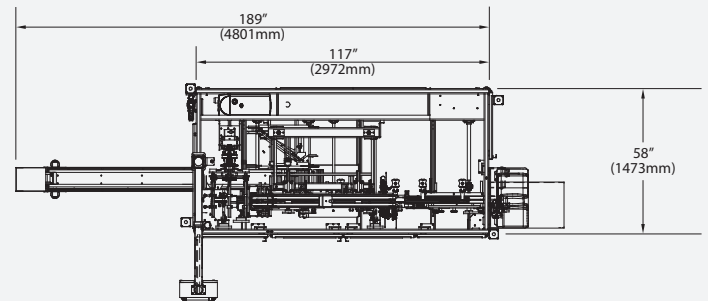
230/460 VAC, 3-Phase with ground (PE), 60 Hz

Air Consumption

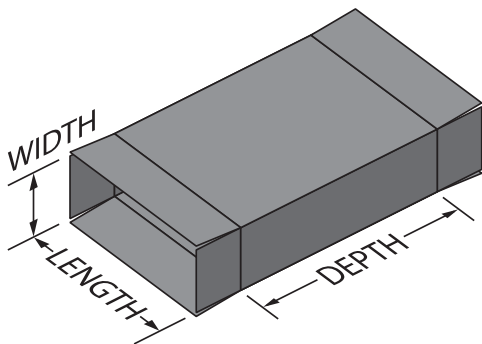
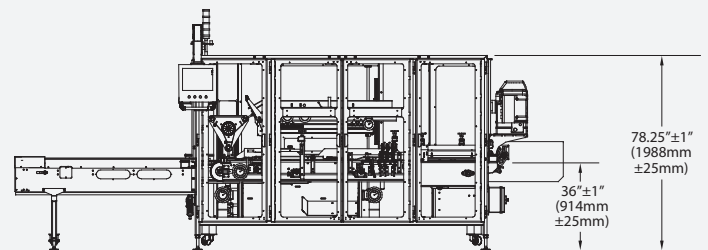
10 CFM @ 95 PSI



PLAN VIEW



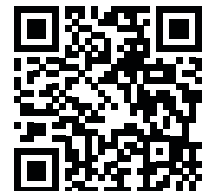
SIDE ELEVATION



CARTON SIZE RANGE

Dimensions	(in)		(mm)	
	Min	Max	Min	Max
Length of Opening	.75	4.5	20	115
Width of Opening	.50	2.5	13	65
Case Depth	2.5	8	65	200

Not all minimums and maximums apply.
Special modifications are available to extend the size range.



For more information about this machine, scan the QR code above with your mobile device