

# CVC350 Horizontal Wrap Labeler

- Lower Operating Costs

- Increase Operating Flexibility

- Unparalleled Service

- Quality that your Customers Demand



The CVC350 Horizontal Wrap Labeler is built to automatically apply *pressure sensitive* labels onto round containers that will not convey upright on a conveyor. The 350 comes with a roller chain conveyor and can be purchased with an optional product loader. The 350 is an ideal machine for contract packagers and manufacturers serving the biotech, nutraceutical, cosmetic, and personal care markets.

All CVC labelers include our patented **Self Set™** software which utilizes a high frequency encoder for extremely easy setup and wrinkle free labeling at the touch of a button.

## Labelers

Solid Dose Bottling Lines  
Blister Packaging  
Cartoning

"Leading Global Equipment Supplier"

[www.cvcusa.com](http://www.cvcusa.com)



CVC Technologies, Inc.

# CVC350 Technical Specifications

## Standard Features:

- Self Set Auto Adjusting Control System
- Stainless Steel Frame on lockable casters
- Stainless Steel 25 degree conveyor with 5-5/8" wide Roller chain
- 25-Key Hand Held Terminal with LCD Display
- Label head with up to  $\pm 1/32$ " accuracy and Integrated Wrap Station
- Label Sensor for Paper or Opaque Labels
- Product Sensor with Opaque and Clear Bottle Mode
- Capacity: up to 200 bottles per minute (BPM)
- ISO 9001:2000 Certified

## Container Specifications:

- Bottle Height: 1" up to 7" (25mm - 178mm)
- Bottle Diameter: 1/2" up to 2" (13mm - 51mm)

## Label Specifications:

- Label Width: 3/8" to 3-3/4" (10mm - 95mm) (custom sizes may be available)
- Label Length: 5/8" up to 6" (16mm - 152mm)
- Label Roll: max 14" (356mm) outside diameter with 3" core
- Label Head Dispense Speed: Maximum 19 Meters/Min.

## Machine Specifications:

- Conveyor Width: Standard 5-5/8"
- Conveyor Length: Standard 66"
- Conveyor Bed Height: Standard 36" ( $\pm 2$ ")
- Machine Weight: 230kg

## Air/Electrical Requirements:

- Power: 110V, Single Phase, 4 AMP  
(208V Available on Request)
- Air: 4 cfm (only required when using Lot/Date Printer)

## Available Options:

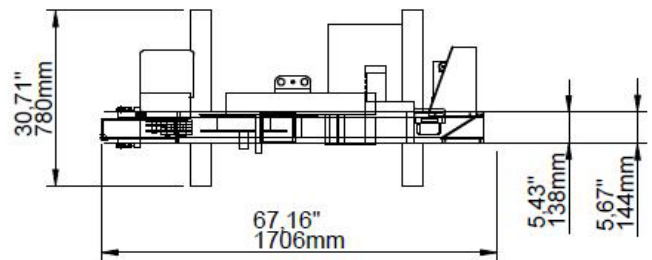
### Printing:

- Hot Stamp (Lot/Date Coding)  
Print Area: 2-3/4"(70mm)W x 2-1/2"(65mm)H  
Type Sizes: 1.5mm, 2.0mm, or 2.5mm  
Chase Size: 6 Lines of 13-22 Characters each  
Low Ribbon Sensor
- Integrated Thermal Encoder (Lot/Date, Bar Code and Graphics)

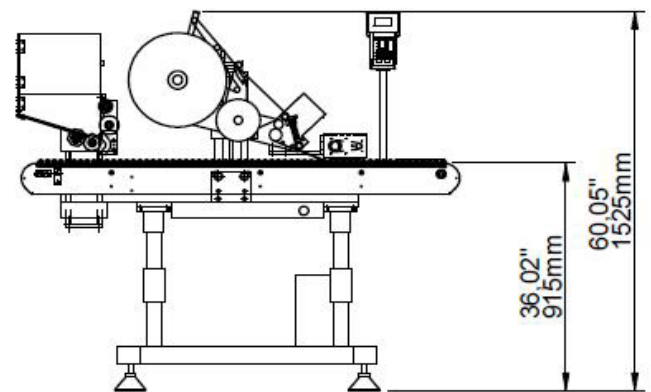
### Assemblies:

- Product Loader, 1 chute, up to 90mm product length, non taper
- Loading tray Insert for Product loading device
- Automatic Vertical stand-up accumulation system
- Hopper Guide Chute
- Custom Wrap Belts
- Clear Label Sensor

## Machine Layouts:



CONVEYOR DIRECTION  
Top View



Front View

*Dimensions shown are for standard machine. Conveyor can be extended or length may vary based on options selected. This labeler can run independently or be integrated into an automated packaging line.*



Quality • Value • Service

Authorized CVC Dealer



Copyright © CVC Technologies, Inc. • Jan. 2012 Edition