

Colamark



Colamark A910 Side Labeling System

WIDE RANGE OF USAGE! Colamark A910 single panel and Wrap Around Labeling System is an ideal choice for the daily chemicals, food and beverages, pharmaceutical and other light industries automatic side labeling on oval shaped or rectangular shaped containers and wrap around labeling on round bottles.

HIGH PERFORMANCE WITH LOW COST!

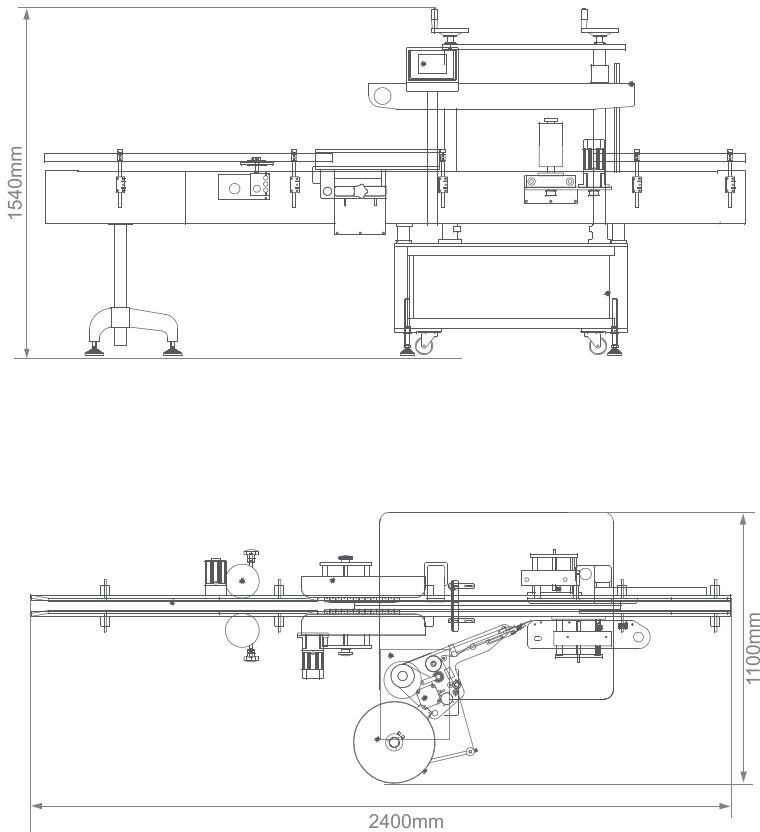
Automatic pressure sensitive labeling is particularly suitable for the small-batch/large-variety production requirement of the daily chemicals industry. It helps eliminating the need for silk-screen printing on various containers prior to production and reducing empty bottles inventory. High quality pre-printed pressure sensitive labels also provide the advantages of fine graphics and vivid colors for better product image

MULTI-FUNCTION! The labeling system is suitable for different shapes of bottles (round, oval, square etc.)



Features

- ▶ A dual-function labeler for wide range of applications: Simple adjustment to swap between side labeling mode and wrap-around labeling mode.
- ▶ One labeler to handle three different shapes of bottles (rectangular, oval, round) with large size ranges, and also achieves wrap-around labeling.
- ▶ Design features to ensure precise and smooth labeling on oval or rectangular bottles:
 - An alignment device composed of a pair of side chains to ensure symmetrical alignment of bottles along the center line.
 - A top conveyor belt at synchronized speed with the main conveyor to hold the bottles in place to maintain bottle alignment and stability throughout the labeling process.
- ▶ Optional special label sensor for detection of film transparent labels.
- ▶ Optional registration features to cater for specific labeling requirements



Machine Model

A910

Container Sizes	Oval/Rectangular : Width(across the direction of movement) 30-90mm、Height≤300mm Round: DiameterΦ20-90mm
Labeling Speed	50 – 240 bottles/min (depends on bottles & label sizes)
Labeling Precision	± 1.0mm (other than errors from bottles or labels)
Machine Dimensions	(L)2400 mm × (W)1100 mm × (H)1540 mm
Power Consumption	220VAC±5% 50Hz 1.1kW

(Custom engineered solutions are available to cater for customer's special needs.)

For continuous improvement on design and product innovations, all specification data are subject to change without prior notice

Colamark (Guangzhou) Labeling Equipment Limited

19 Jin Xiu Road, GETDD, Guangzhou, China

Tel: +86 20 8221 6718 Fax: +86 20 8221 5799 PC:510730

Colamark Technologies Limited

820 Topsail Plaza,11 On Sum Street,Shatin, Hong Kong
Tel: +852 2634 8011 Fax: +852 8161 3311 Email: info@colamark.com Web: www.colamark.com

|HongKong | Guangzhou | Kunming Chengdu | Wuhan | Chongqing | Xian | Shanghai | Qingdao | Beijing | Shenyang | Harbin|



150 William Street Perth Amboy, NJ 08861
1-800-298-8936
Phone: 732-324-0800
Fax: 732-324-4488
Email: sales@dartronics.com
www.dartronics.com