

Colamark



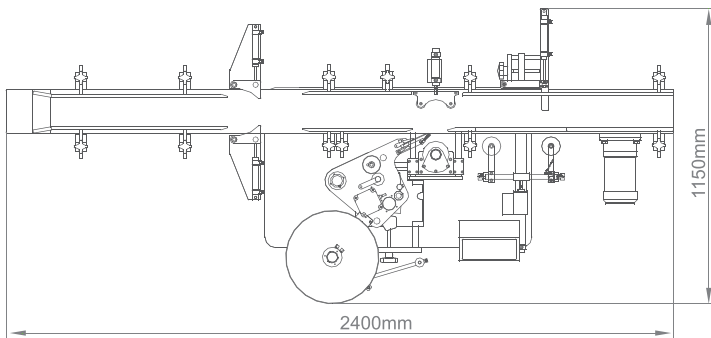
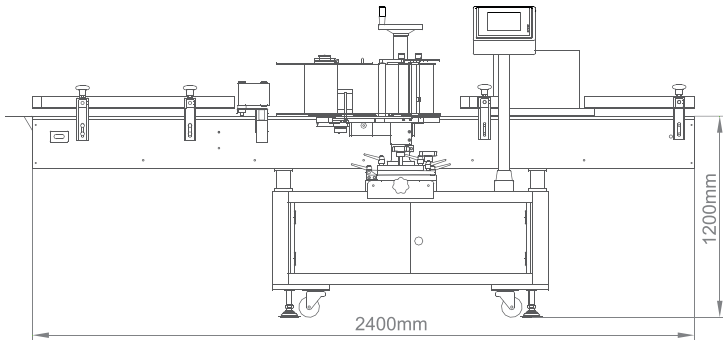
A720 Cooking Oil Bottle Labeling System

Colamark A720 Cooking Oil Bottle Labeling System is an ideal choice of labeling equipment that satisfying three sided labeling or wrap-around labeling requirement for food & cooking oil manufacturing industries. Special labeling mechanism with label position registration devices make full loaded oil bottles auto-labeling process practical, with one machine versus multi bottle specifications.

A720 can be operated either in stand-alone mode or integrated with the existing filling and packaging line in fully automatic system.

Backed by an engineering design team with years of experiences in automatic labeling equipment, Colamark A720 offers the advantages of stability, ease of use, high performances, as well as the flexibility to add custom engineering functions according to the customer's requirement.





Features

- ▶ Design features ensure precise and smooth labeling on rectangular & round bottles for food and cooking oil industries. It's all-purpose, stable & durable, such as automatic 3-sided labeling on rectangular or oval bottles after filling.
- ▶ Unique bottles feeding mechanism guarantees the stable and high speed operation
- ▶ Special label pressing device ensures 3-sided rectangular bottle auto-labeling practical
- ▶ Resolve the auto-labeling technical problems for the cooking oil manufacturing industry
 - Smoothen the corner labeling on rectangular bottles
 - Ensure feeding process reliability with reference to the corner labeling requirement
 - One labeler for multi-bottles packaging line
 - Applying labels onto the full loaded cooking oil bottles on slippery conveyer
- ▶ Highly user friendly interactive touch-screen control
- ▶ Intelligent label quantity management, warning message and optional visual inspection devices

Machine Model

A720

Bottle Sizes	< Round bottles > Bottle diameter: $\Phi 80$ - $\Phi 50$ mm < Rectangular or oval bottles > (L)100 – 180 × (W) 80 – 180 × (H)50 - 350 mm
Labeling Speed	45 bottles/min(45 bottles/min (rectangular bottles side labeling, with 5L bottle) 35 bottles/min (round bottles, with 1.8 L bottle) (depends on bottles & label sizes)
Labeling Precision	Side Labeling ± 1.5 mm (other than errors from bottles or labels) Wrap around labeling on round bottles with registration ± 2.0 mm From beginning to end ± 1.5 mm
Machine Dimensions	(L) 2400mm × (W) 1150mm × (H) 1200mm
Power Consumption	220VAC $\pm 5\%$ 50Hz 1.04kw

(Custom engineered solutions are available to cater for customer's special needs.)

For continuous improvement on design and product innovations, all specification data are subject to change without prior notice

Colamark (Guangzhou) Labeling Equipment Limited

19 Jin Xiu Road, GETDD, Guangzhou, China

Tel: +86 20 8221 6718 Fax: +86 20 8221 5799 PC:510730

Colamark Technologies Limited

820 Topsail Plaza, 11 On Sum Street, Shatin, Hong Kong
Tel: +852 2634 8011 Fax: +852 8161 3311 Email: info@colamark.com Web: www.colamark.com

| HongKong | Guangzhou | Kunming Chengdu | Wuhan | Chongqing | Xian | Shanghai | Qingdao | Beijing | Shenyang | Harbin |



150 William Street Perth Amboy, NJ 08861

1-800-298-8936

Phone: 732-324-0800

Fax: 732-324-4488

Email: sales@dartronics.com
www.dartronics.com