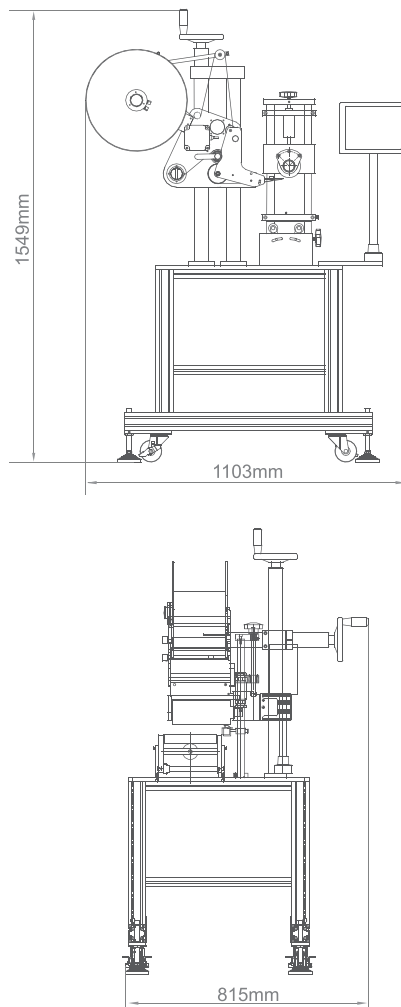


Colamark



Colamark A520 Semi-Automatic Wrap-around labeling Machine with orientation

For labeling on round bottles for the cosmetic, health care, pharmaceutical, and beverage industry in small production runs. The machine grips the bottle at three points for labeling to ensure high alignment precision. Stationary rotation also allows putting two labels around the bottle at a time. With the use of an orientation sensor, the machine will also handle bottles with orientation features.



Features

- Easy to use.
- Adapt a large range of bottle diameter and height. Easy adjustment between bottle sizes.
- 3-point gripped of bottle ensures proper label alignment
- Stationary rotation of bottle allows putting two labels around at a time.
- Pneumatic driven label adapting roller engagement for ease of use and consistent labeling effect.
- Orientation sensor for bottles with orientation labeling requirement.
- Servo driven labeling engine ensures speed and precision.
- PLC controlled operation
- User friendly HMI with program memory

Machine Model	A520
Bottle diameter	16mm ~ 90mm
Capacity	40-60 bpm (depending on material dimensions)
Labeling Precision	±1.0mm (excl. errors from materials)
Label passage width	Max. 200 mm
Air Pressure	0.4-0.7 Mpa
Weight	50 Kg
Machine Dimensions	(L)1100 mm × (W)814 mm × (H)1550 mm
Power Consumption	220VAC±5% 50Hz 0.8kW

(Custom engineered solutions are available to cater for customer's special needs.)

For continuous improvement on design and product innovations, all specification data are subject to change without prior notice

Colamark (Guangzhou) Labeling Equipment Limited

19 Jin Xiu Road, GETDD, Guangzhou, China

Tel: +86 20 8221 6718 Fax: +86 20 8221 5799 PC:510730

Colamark Technologies Limited

820 Topsail Plaza, 11 On Sum Street, Shatin, Hong Kong
Tel: +852 2634 8011 Fax: +852 8161 3311 Email: info@colamark.com Web: www.colamark.com

| HongKong | Guangzhou | Kunming Chengdu | Wuhan | Chongqing | Xian | Shanghai | Qingdao | Beijing | Shenyang | Harbin |



150 William Street Perth Amboy, NJ 08861
1-800-298-8936
Phone: 732-324-0800
Fax: 732-324-4488
Email: sales@dartronics.com
www.dartronics.com