

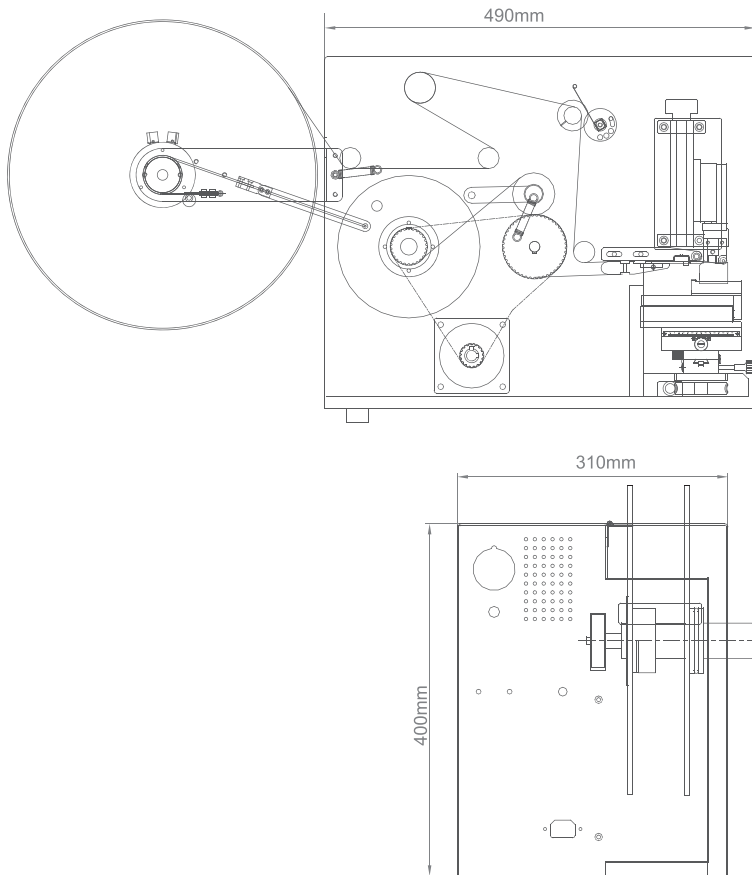
# Colamark



## Colamark A510 Semi-auto High Precision Labeling Machine

For labeling on small flat surface that requires extra positioning precision such as memory cards, electronic parts, PCB's etc. Unique mechanism to eliminate air bubbles softly to avoid scratching the label surface.





## Features

- Uniquely designed pneumatic driven vacuum head to pick up and align label correctly.
- Specifically designed jig to hold object in consistent position
- Pneumatic driven jig movement to eliminate air bubble softly when label is applied to avoid scratching the label surface.
- Servo motor driven labeling engine for precise label movement
- Safety enclosure
- PLC controlled operation
- User friendly HMI with program memory

Machine Model	A510
Minimum Label Size	10.0mm
Capacity	Max. 60 pcs./min (depending on material sizes)
Precision	± 0.2mm to ± 0.5mm (excl. errors from materials)
Labeling dispensing speed	3~30 m/min.
Air pressure	0.4~0.7 Mpa
Machine Dimensions	(L)490mm × (W)310mm × (H)400mm
Power Consumption	220VAC±5% 50Hz 0.8kW

( Custom engineered solutions are available to cater for customer's special needs. )

For continuous improvement on design and product innovations, all specification data are subject to change without prior notice

## Colamark (Guangzhou) Labeling Equipment Limited

19 Jin Xiu Road, GETDD, Guangzhou, China

Tel: +86 20 8221 6718 Fax: +86 20 8221 5799 PC:510730

## Colamark Technologies Limited

820 Topsail Plaza, 11 On Sum Street, Shatin, Hong Kong  
 Tel: +852 2634 8011 Fax: +852 8161 3311 Email: info@colamark.com Web: www.colamark.com

| HongKong | Guangzhou | Kunming Chengdu | Wuhan | Chongqing | Xian | Shanghai | Qingdao | Beijing | Shenyang | Harbin |



150 William Street Perth Amboy, NJ 08861  
 1-800-298-8936  
 Phone: 732-324-0800  
 Fax: 732-324-4488  
 Email: sales@dartronics.com  
 www.dartronics.com