

Colamark

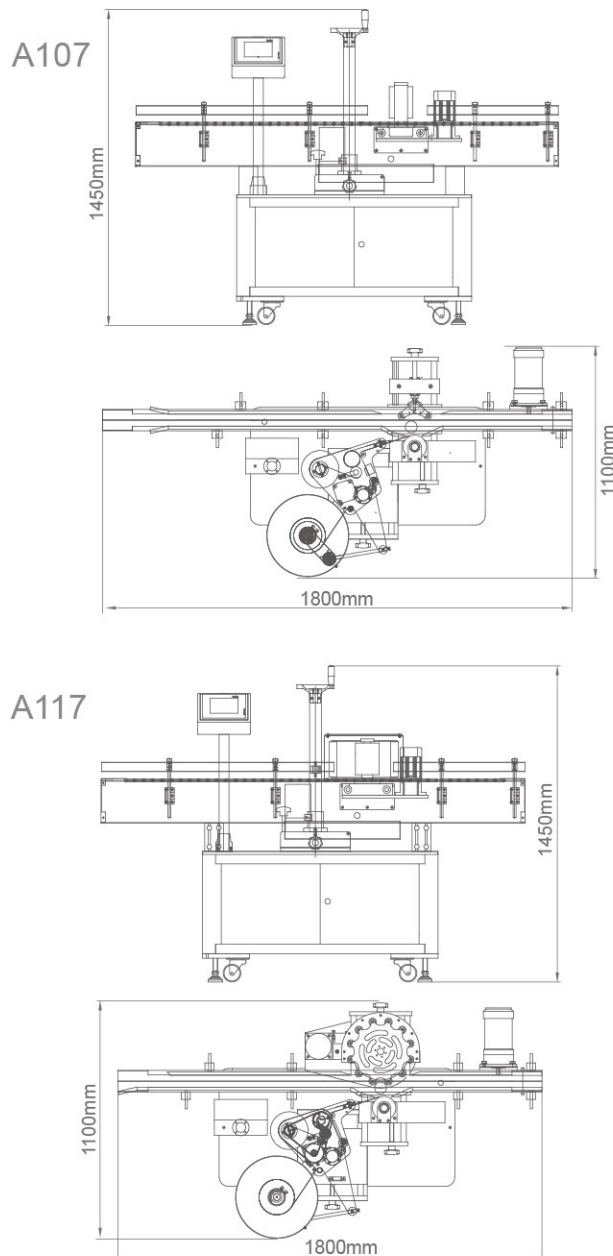


Colamark Orientation Wrap-around Labeling Machine for Round Bottle

The A107/A117 rotate the bottle for wrap around labeling by gripping at 3 points on the bottle body to ensure precise parallel alignment of the label and at the same time achieve label orientation and/or multiple labels on one bottle. It is widely used in the personal care products, food & beverage, and pharmaceutical industry.

The A107 uses a pneumatic fork to hold the bottle for rotation and is particularly suitable for large diameter and heavier bottles.

The A117 uses an indexing turn-table to move and hold the bottles for rotation and is particularly suitable when fast process capacity is important.



Features

- Special registration sensor to catch the orientation feature of the bottle precisely.
- Holding the bottle for rotation at 3 points to ensure alignment accuracy.
- Two holding mechanism, pneumatic fork and indexing turn-table, to meet different bottle characteristics and process requirements.
- Single label or dual label labeling
- Optional inspection and rejection functions for missing label, wrong label, wrong position, and missing or illegible date/batch codes etc.
- Various optional coding devices for synchronized coding: hot stamping, thermal transfer, inkjet, thermal inkjet etc.
- Integrated management of peripheral devices. Operation parameters, alarm signals of peripherals can be shown on the system control panel.

Machine Model

A107 / A117

Diameter	Φ28~100mm (For A117, the indexing turn-table is a change part for different range of diameters)
Label length	10~200mm
Capacity	20~120 bottles/min. (Subject to sizes of materials)
Precision	± 0.5mm
Electricity & power	220VAC ± 5% 50Hz 1.3kW
Machine dimensions	(L)1,800×(W)1,100×(H)1,450 mm

(Custom engineered solutions are available to cater for customer's special needs.)

For continuous improvement on design and product innovations, all specification data are subject to change without prior notice

Colamark (Guangzhou) Labeling Equipment Limited

19 Jin Xiu Road, GETDD, Guangzhou, China

Tel: +86 20 8221 6718 Fax: +86 20 8221 5799 PC:510730

Colamark Technologies Limited 820 Topsail Plaza, 11 On Sum Street, Shatin, Hong Kong

Tel: +852 2634 8011 Fax: +852 8161 3311 Email: info@colamark.com Web: www.colamark.com

| Hong Kong | Guangzhou | Shanghai | Beijing | Shenyang | Qingdao | Wuhan | Chengdu | Kunming |



150 William Street Perth Amboy, NJ 08861

1-800-298-8936

Phone: 732-324-0800

Fax: 732-324-4488

Email: sales@dartronics.com

www.dartronics.com