

where products meet packaging®

Featuring positive, continuous motion lugged carton transfer design, the new ADCO 16B is the right answer for your tri-seal carton closing needs. When it comes to speed, flexibility, footprint and value, the 16B hits the mark. Designed to seal a wide variety of carton shapes and sizes, the affordable 16B accepts cartons back-to-back at speeds up to 80 cycles per minute. No complex positioning systems needed here. ADCO's time-tested lugged transfer design keeps positive control of the carton all the way through the closing and sealing operation. This reliable and simple to operate tri-seal carton closer is ideal for the most demanding and cost conscious production environments. Like all ADCO machines, the 16B is constructed in stainless steel and is available in standard or wash-down configurations.

Benefits

- Stainless steel construction improves cleanability and eliminates corrosion
- Positive, continuous motion lugged carton transfer maximizes control and reliability
- Fast, easy changeover improves productivity and reduces downtime
- Large carton size range protects your investment as products change
- Advanced guard design keeps operators safe and maximizes maintenance access

16B - Tri-Seal Carton Closer

Product Features

- Stainless steel construction
- Compact frame with leveling feet and casters
- Lugged carton transfer system
- Cover left/right orientation
- 1-HP variable speed drive system
- Overhead tucking system
- Powered discharge side belts
- Nordson® ProBlue hot melt glue system
- Allen-Bradley® control package
- Category 3 safety system with a fully interlocked barrier guard package
- Many options available upon request

Typical Applications

- Baked goods
- Flow-wrapped products
- Dairy products
- Snack foods
- Frozen foods
- Consumer products

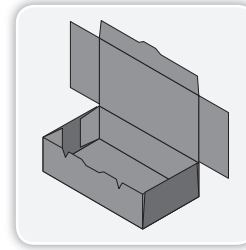
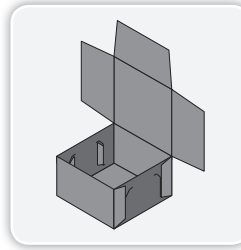
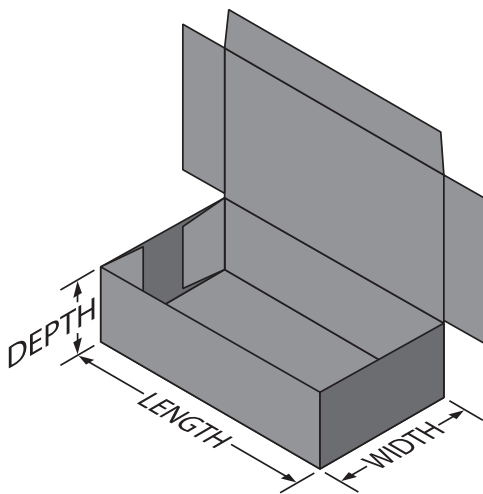
Utilities

Electrical

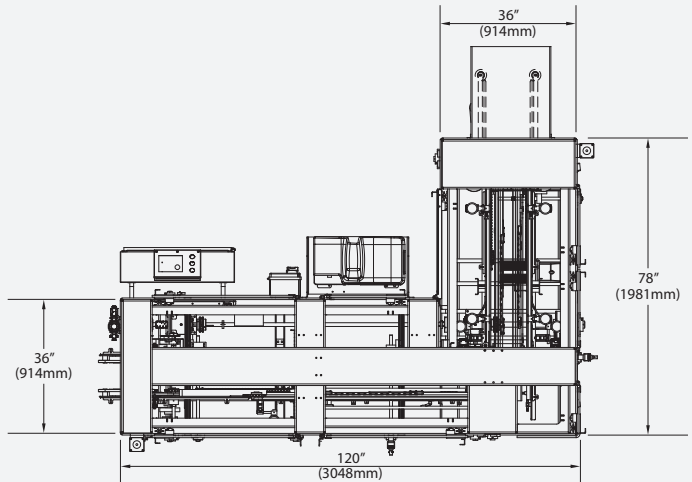
230/460 VAC, 3-Phase with ground (PE), 60 Hz

Air Consumption

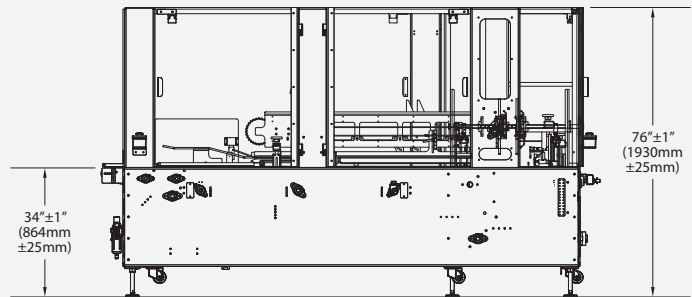
10 CFM @ 70 PSI



PLAN VIEW



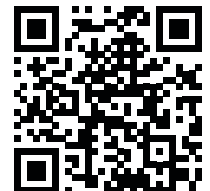
SIDE ELEVATION



CARTON SIZE RANGE

Dimensions	(in)		(mm)	
	Min	Max	Min	Max
Length of Opening	4	12	101	305
Width of Opening	4	10	101	254
Case Depth	1	4	25	101

Not all minimums and maximums apply.
Special modifications are available to extend the size range.



For more information about this machine, scan the QR code above with your mobile device