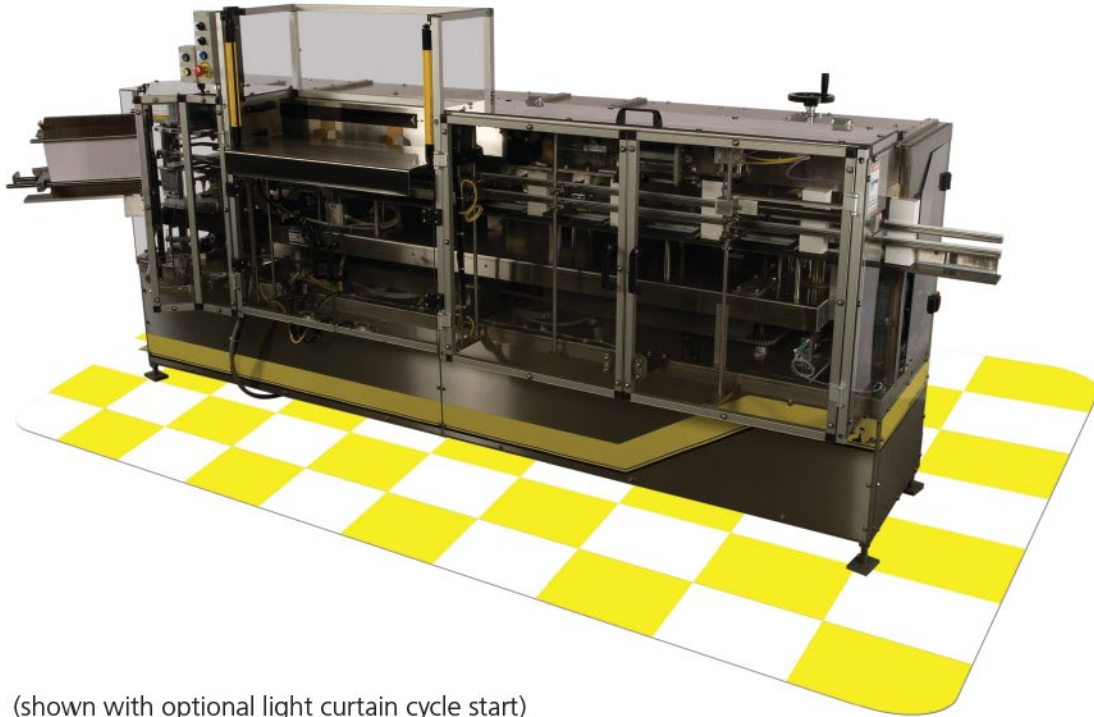


ECONOSEAL[®]

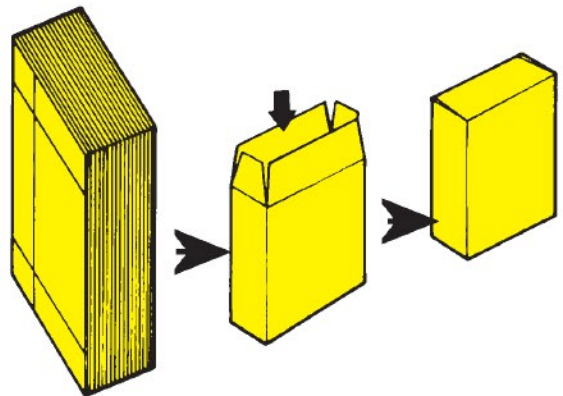
V-SYSTEM



(shown with optional light curtain cycle start)

Automatic vertical cartoner for end load, sleeve style cartons.

The ECONOSEAL V-System is a mechanically driven, intermittent motion vertical cartoner. Economy, simplicity and compact design are features of this unique machine.



24" (610mm) product load area

ECONOSEAL® V-SYSTEM:

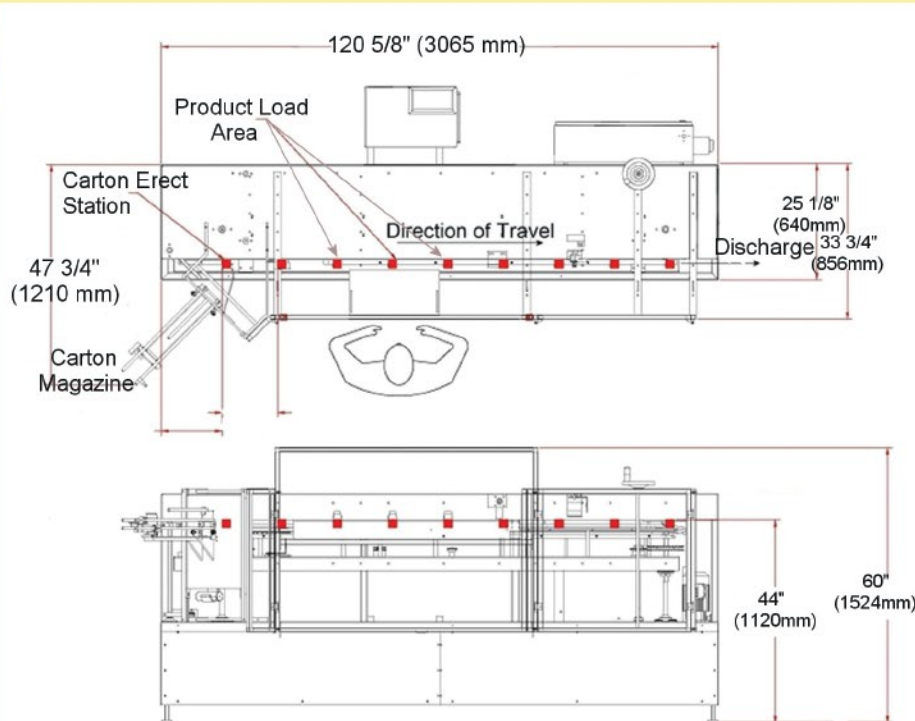
Method of Operation:

A flat, pre-glued end load style carton is pulled via vacuum from the carton supply magazine. The bottom of the carton is closed (tuck or glue methods available) and the carton is then presented (vertically) to the product loading area. There are actually 3 carton stations available in the twenty four (24) inch load area. Following the loading of the product, the machine cycle is initiated and the top of the carton is closed (tuck or glue methods available) and the completed package is discharged from the machine.

Machine Features Include:

- Easy access to carton magazine
- Adjustable 4 chain transport system to enhance carton squareness
- Hand crank adjustment for fast size changeover
- Centrally located twenty four (24") inch product loading area
- Closure stations (tuck or hot melt extruding systems available)
- Date – lot coding and other options available

V-SYSTEM ENGINEERING DETAILS



Size Range:

Min 1" x 3/4" x 2 1/2"
(25 x 19 x 64mm)
Max 8" x 3" x 10"
(203 x 76 x 254mm)

Speed:

Up to 40 cartons per minute, depending on carton size and other factors

Electrical:

220 volts 50/60Hz, 1 phase

Air:

80 psi (5.5 bar)
95 liters/minute

Shipping:

Normally 1,295 lbs (590 KG)

NOTE:

All dimensions are approximate and subject to change.



DARTRONICS, INC.

PACKAGING AUTOMATION SPECIALISTS



150 WILLIAM ST. PERTH AMBOY, NJ 08861 / TOLL FREE: 800-298-8936 / PHONE: 732-324-0800 / FAX: 732-324-4488

WWW.DARTRONICS.COM

YOUTUBE / DARTRONICS

THE SINGLE SOURCE FOR YOUR

END-OF-LINE

PACKAGING, MARKING AND CODING NEEDS